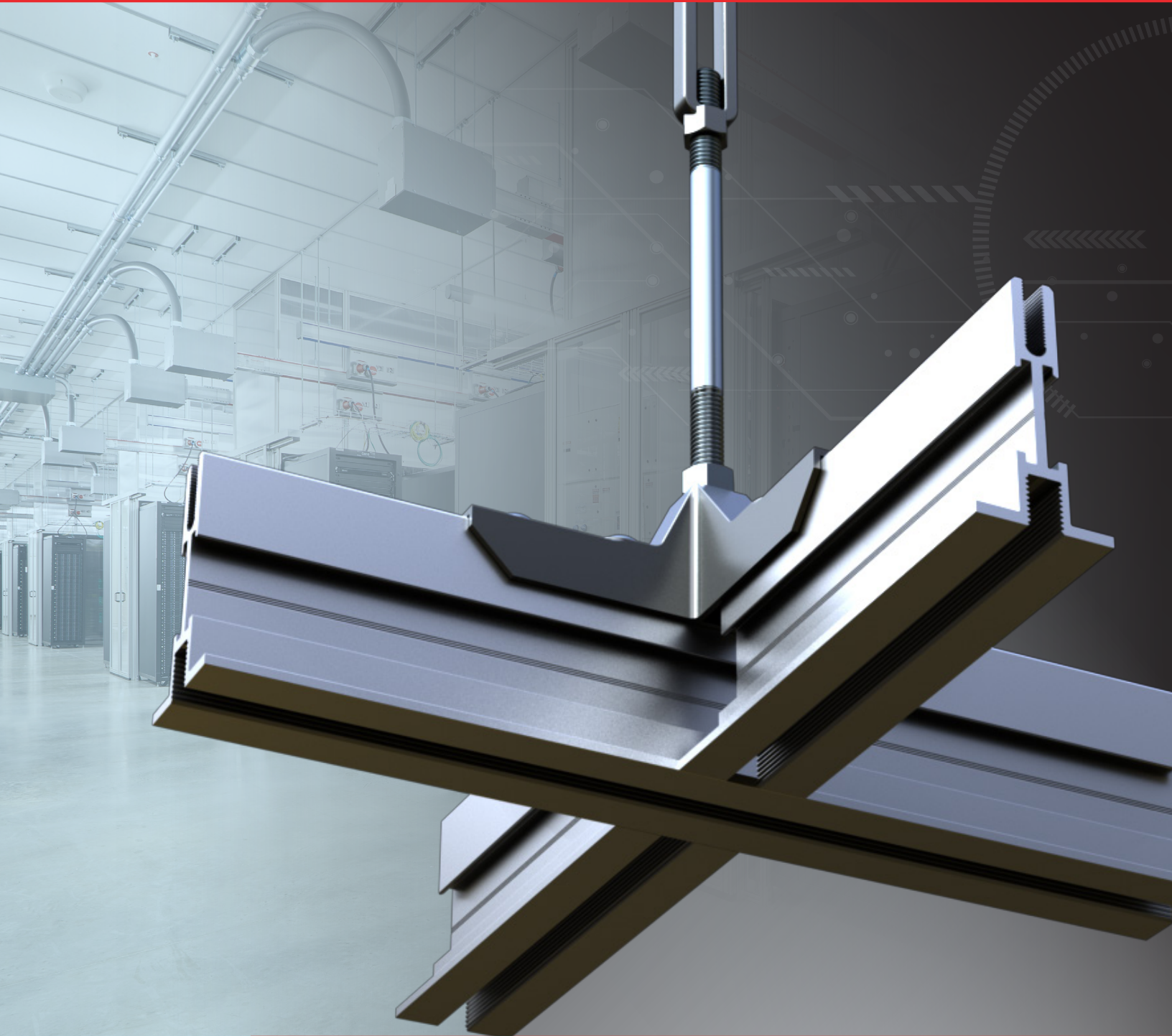
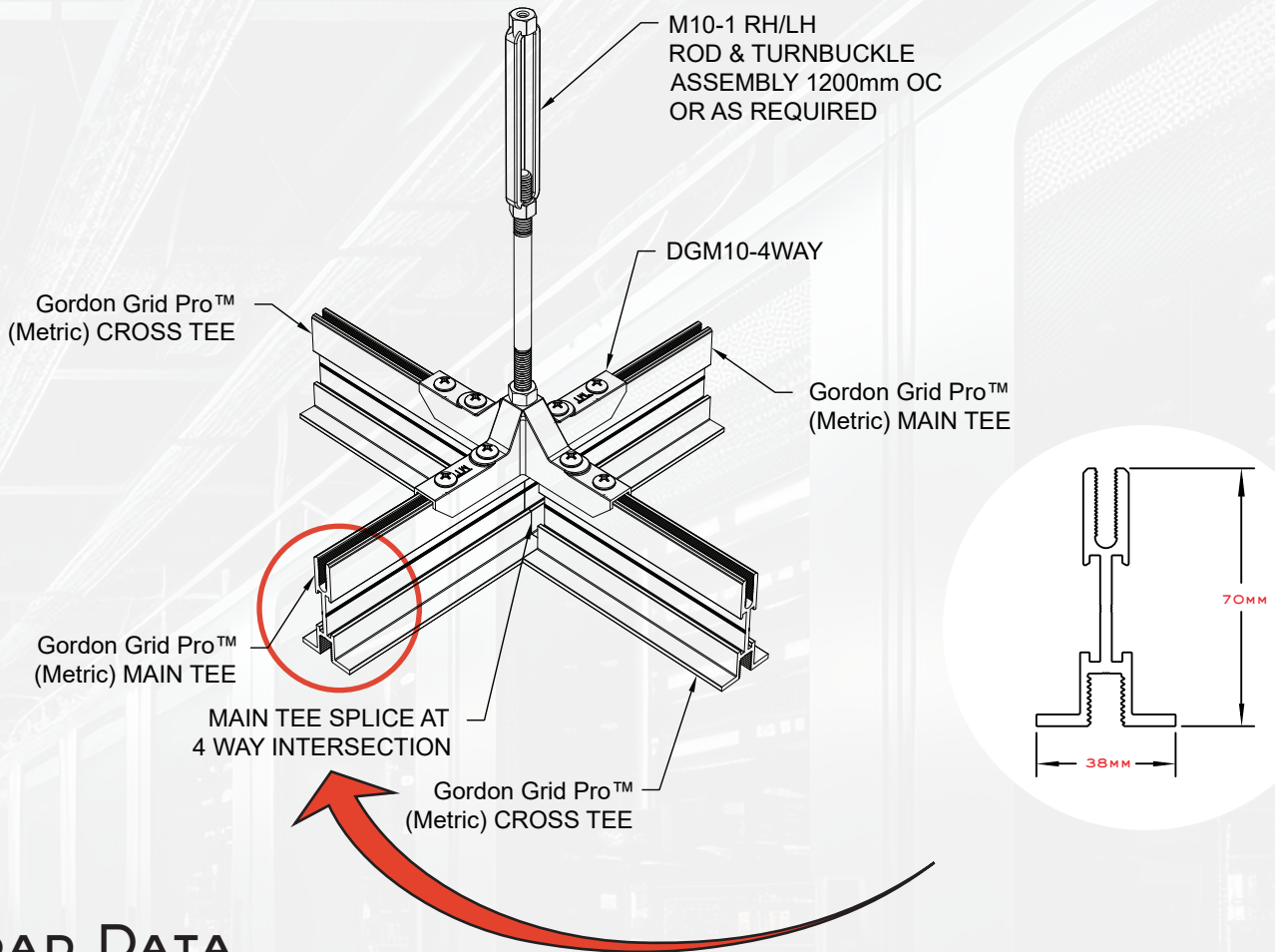


GORDON[®]

ARCHITECTURAL+ENGINEERED SOLUTIONS



GORDON GRID PRO™ (METRIC)
DATA CENTER CEILING



LOAD DATA

Main Tee Spacing	Hanger Spacing	Deflection	Max. Concentrated Static Load at mid-span	Max. Uniform Load based on Deflection Shown
1200 mm	1200 mm	L/360 (3.33 mm)	168 kg	224 kg/m
1200 mm	1200 mm	L/180 (6.67 mm)	336 kg	448 kg/m

WORKING LOAD LIMIT OF 10 M TURNBUCKLE IS 544 KG